

SPECIFICATION DATA SHEET

MEDITRAC® DESCRIPTION

The OmegaFlex® MediTrac® flexible Corrugated Medical Tubing (CMT) system consists of a corrugated stainless-steel tubing with axially swaged brass fittings; providing easy attachment to traditional copper tube systems and direct connection to piping system components.

MEDITRAC® CMT MATERIALS

TUBING MATERIAL: Corrugated medical tubing stainless-steel material conforms to EN 1.4306, complying with the requirements of HTM 02 01 para 13.16 and is supplied in accordance with BS EN ISO 15001:2010 para 4.1, and is internally free of toxic residues and of particulate matter.

JACKET MATERIAL: The polyethylene cover on MediTrac® provides the necessary protection to permit the enclosure of the pipe within stud or plasterboard walls, or directly in plaster wall finishes without the need for additional wrapping. (HTM 02 01 paragraphs 13.10, 13.11 c, and 13.12.) Where MediTrac® pipes pass through walls, partitions or floors, the holes should be sleeved and fire stopped as usual, in accordance with HTM 02 01 para 13.11 a.

FITTING MATERIAL: Fittings are metallic; Yellow Brass: mechanical pipeline joints are recognised in HTM 02 01 para 13.22 and 13.39, and BS EN ISO 7396-1:2016 para 11.3.1.

MEDITRAC® SYSTEM OPERATIONAL RATINGS

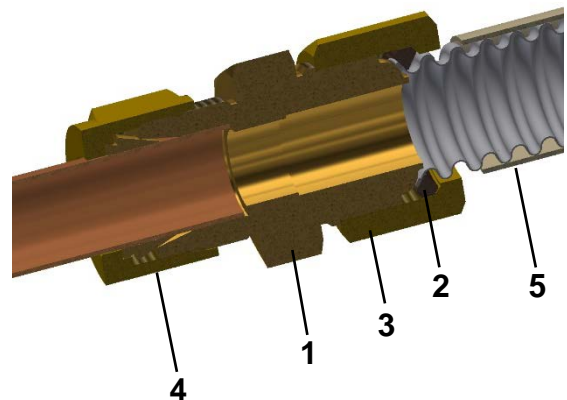
MAXIMUM CONTINUOUS USE OPERATING PRESSURE: (DN12-DN28) 400 kPa

MAXIMUM CONTINUOUS USE VACUUM: (DN12-DN50) 40 kPa

MAXIMUM CONTINUOUS USE OPERATING TEMPERATURE: 120 °C

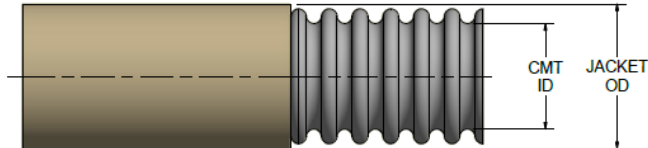
MEDITRAC® AXIALLY SWAGED FITTING COMPONENTS

Item	Description	Material
1.	Adaptor	Yellow Brass
2.	Split Ring	Brass/Stainless Steel
3.	Axial Swaging Nut	Yellow Brass
4.	Compression End / Other ends available	Yellow Brass
5.	MediTrac® CMT	Stainless-Steel / Polyethylene Jacket



MEDITRAC® TUBING SPECIFICATIONS

MediTrac Size	3/8" DN 12	1/2" DN 15	3/4" DN 22	1" DN 28	1-1/4" DN 32	1-1/2" DN 40	2" DN 50
Corrugated Tubing ID (mm nom)	11	15	21	27	33	40	52
Jacket OD (mm nom)	17	22	28	35	42	49	66
Minimum Bend Radius (mm)	25	25	25	76	76	76	76



MEDITRAC® TUBING SUPPORT AND SPACING

MediTrac® can be supported using the same types of pipe clip as are used on copper pipe systems, but the clips need to be one size larger for MediTrac® than for the equivalent nominal size of copper tube. The polyethylene cover on MediTrac® means that there is no need for any additional treatment of the clips to prevent electrolytic action between the pipe and the supports (BS EN ISO 7396-1:2016 para 11.2.3). The maximum interval between supporting clips is 1.5 meters for sizes up to DN15, 2.0 meters for DN 22 to DN 28 and 2.5 meters for DN 32 to DN 50, in accordance with HTM 02 01 para 13.44 (table 26), and BS EN ISO 7396-1:2016 para 11.2.1 (table 3).